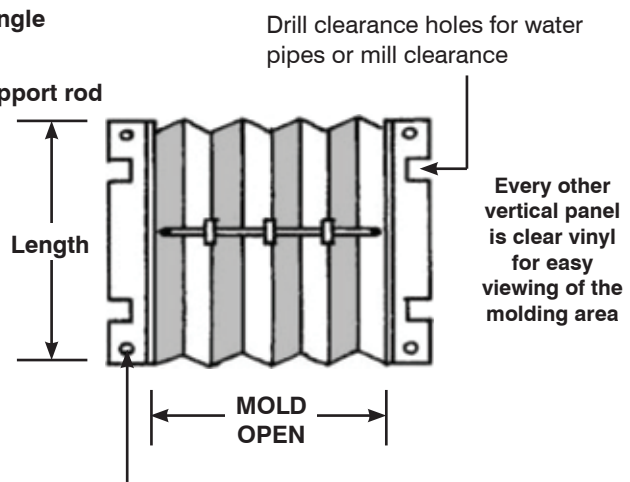
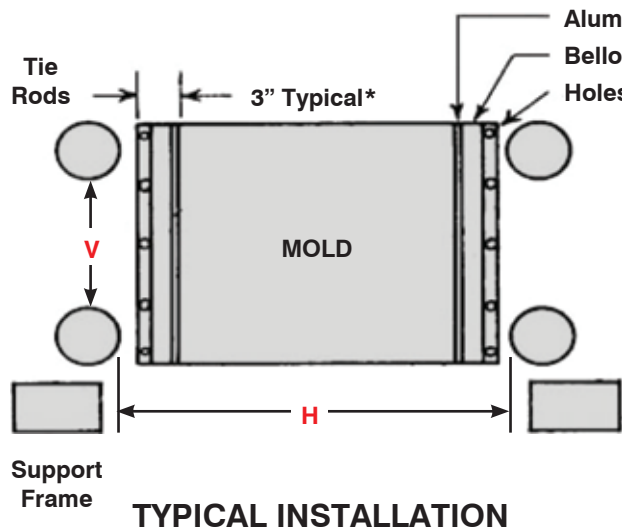


Custom Mold Side Curtains Request Form



Drill clearance holes in aluminum angle. Drill and tap mold base to accept mounting screws.

***Note:**
 Side curtains require 3" gap between mold and tie bar. The curtain can only be as long as the tie bar spacing if adequate space does not exist.
 Ensure adequate clearance between waterline fittings on the parting line, to allow the curtain to collapse in between when the mold is closed.
 Curtain open stroke and curtain length should not exceed 36".
 Mounting Bracket is always 1" shorter than the curtain length.
 Curtain length received will be 1/2" shorter than ordered for adjustment purposes.

Mold Open	Approximate Mold Close
3" - 6"	1/2" bellows + 1/4" for mounting bracket
7" - 9"	3/4" bellows + 1/4" for mounting bracket
10" - 12"	1" bellows + 1/4" for mounting bracket
13" - 15"	1-1/4" bellows + 1/4" for mounting bracket
16" - 18"	1-1/2" bellows + 1/4" for mounting bracket
19" - 21"	1-3/4" bellows + 1/4" for mounting bracket
22" - 24"	2" bellows + 1/4" for mounting bracket
25" - 27"	2-1/4" bellows + 1/4" for mounting bracket
28" - 30"	2-1/2" bellows + 1/4" for mounting bracket
31" - 32"	2-3/4" bellows + 1/4" for mounting bracket
33" - 36"	3" bellows + 1/4" for mounting bracket

1. (H) Distance between Tie Rods: _____ (V) Distance between Tie Rods: _____

2. Mold Width: _____ Mold Height: _____

3. Mold Open: _____

4. Curtain Length: _____

Date: _____ Quantity: _____ Phone: (_____) _____ Fax: (_____) _____

Name: _____ Title: _____

Company Name: _____ Email: _____

Address: _____

City: _____ State: _____ Zip: _____



www.imscompany.com phone order toll-free (USA & Canada) **1.800.537.5375**

fax order toll-free (USA & Canada) **1.888.288.6900** | phone order toll-free (Mexico) **001.888.304.1307** | tech support toll-free (USA & Canada) **1.866.467.9001** | e-mail **sales@imscompany.com**

Please refer to imscompany.com for current pricing ©Copyright 2021 IMS Company. All rights reserved.